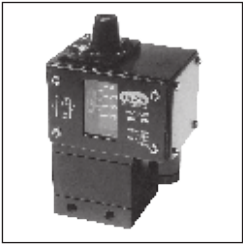
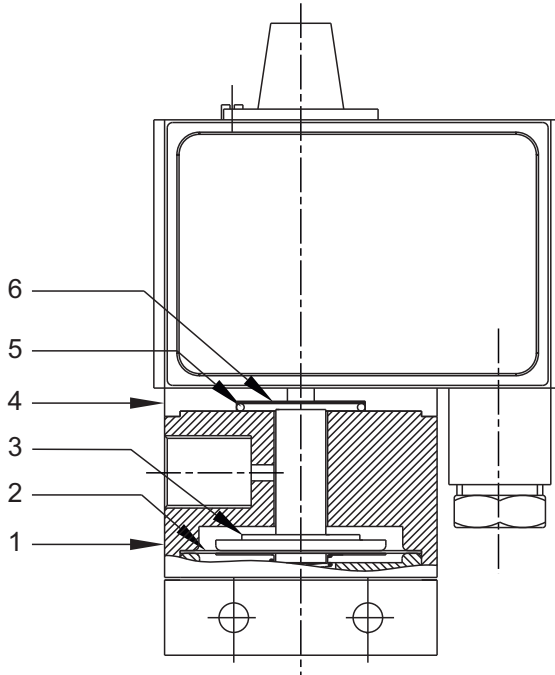


# MN / MA VACUUM SWITCHES



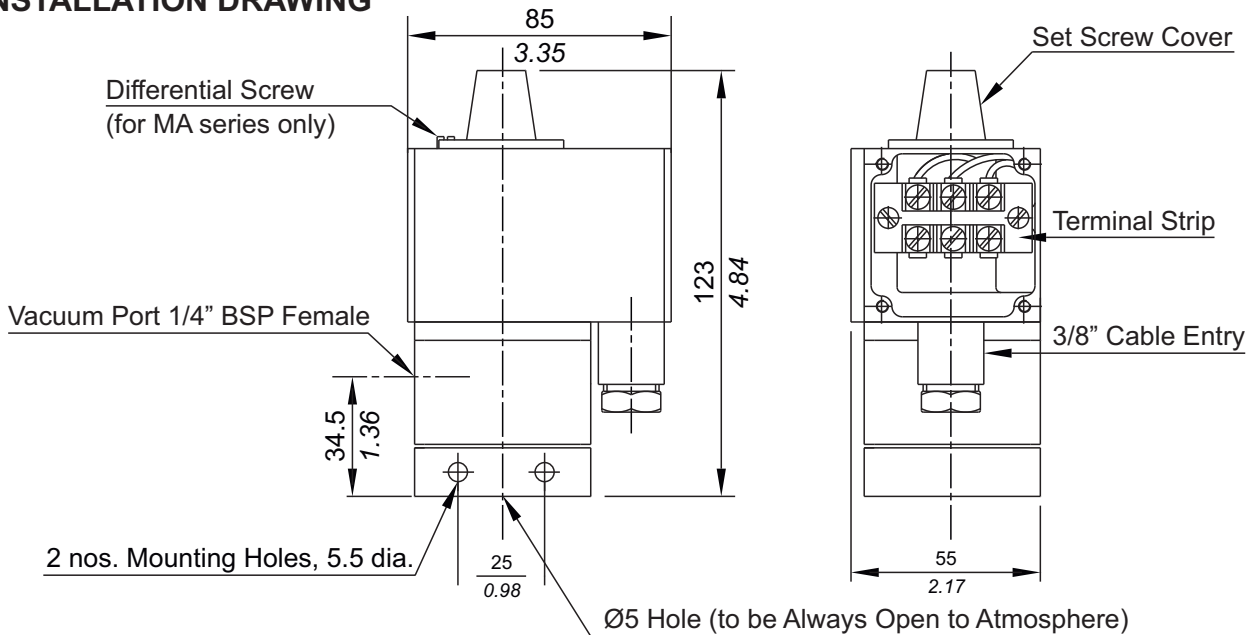
## PRESSURE CAPSULE DETAILS



- | No. | Description                             |
|-----|---|
| 1.  | <i>Disc</i>                             |
| 2.  | <i>Diaphragm</i>                        |
| 3.  | <i>Plunger (SS 316)</i>                 |
| 4.  | Junction Plate                          |
| 5.  | Sealing 'O' ring (PTFE <sup>®</sup> )   |
| 6.  | Sealing diaphragms (PTFE <sup>®</sup> ) |

Note : *wetted parts* are mentioned in italics.

## INSTALLATION DRAWING



APPROX. DIMENSIONS IN  $\frac{\text{mm}}{\text{inches}}$

# VACUUM SWITCHES MN / MA

## GENERAL INFORMATION :

MN / MA series vacuum switches are housed in pressure die cast aluminium powder coated enclosure and are recommended for panel mounting or outdoor service based on the type of enclosure opted for. The repeat accuracy is better than  $\pm 2\%$  FSR. A 3/8" cable entry is provided for cables and a terminal strip suitable for wired ends is provided inside the enclosure. Pressure port is 1/4" BSPF standard.

## FEATURES :

- Compact
- Separate chamber for working parts
- Wide band adjustable differential in MA series.
- Choice of wetted parts to suit working media
- Electrical rating : 5A, 250VAC; 0.2A, 250 VDC
- Pressure port : 1/4" BSPF

**Some Applications :** Used in grinding machines for holding jobs, vacuum systems, blowers, pumps, etc.

## RANGE SELECTION TABLE

Range code	Range vacuum (falling) mm Hg ("Hg)	MN	MA	Maximum Working Pressure bar (psi)
		*Approximate Maximum Differential (Fixed) mm Hg ("Hg)	*Adjustable Differential mm Hg ("Hg)	
V00	† 760 - 100 (29.92 - 3.94)	100 (3.94)	100 - 500 (3.94 - 19.69)	12 (174.05)

\* Minimum differential increases with setpoint (Graphs available on request)

† Typical values achieved at sea level, total vacuum that can be achieved varies mainly with altitude.

## HOW TO ORDER MN / MA SERIES VACUUM SWITCHES

Group 1	Group 2	Group 3	Group 4	Group 5	Group 6
Model	Range Code	Range Scale	Disc	Diaphragm	Enclosure
MN - Fixed differential Vacuum Switch MA - Adjustable diff. Vacuum Switch	V00 - High range vacuum Switch	C - Calibrated U - Uncalibrated	A - Aluminium B - Brass S - SS 316	0 - Neoprene 1 - PTFE	0 - Standard (IP54) 1 - IP65 as per IS60529

Eg. A fixed differential vacuum switch, high range from 760 mm Hg vac. To 100 mm Hg vac. in uncalibrated style, with brass pressure housing, a Teflon diaphragm & a standard enclosure shall be specified by

Group 1	Group 2	Group 3	Group 4	Group 5	Group 6
MN	V00	U	B	1	0

Please specify full model number to avoid ambiguity. If only the first two groups are specified while ordering, uncalibrated switches with standard wetted parts and enclosures will be supplied.